



ISO 9001:2000
ISO 14001:2004

常州市武进中天机房设备有限公司

CHANGZHOU WUJIN ZHONGTIAN COMPUTER-ROOM EQUIPMENT CO., LTD

地址: 江苏常州武进横林镇卫星工业区 电话: 0519-88507865 传真: 0519-88503251 邮编: 213103

DESCRIPTION:

The ASM "Smart-Air" 8-inch round air diffuser is designed for use in raised access floor air distribution systems, where the floor cavity is used for pressurized supply air. The design achieves high induction rates of room air which optimizes mixing for maximum comfort conditions.

FEATURES:

Meets all the requirements of NFPA 90A.

Diffuser & components constructed of high impact polycarbonate/ABS complying with UL Standard 94-5V for flammability.

Nominal size is 8 inches (203mm) dia. with low profile design.

Dust collection basket catches anything that might fall through the diffuser face. Basket is removable for cleaning.

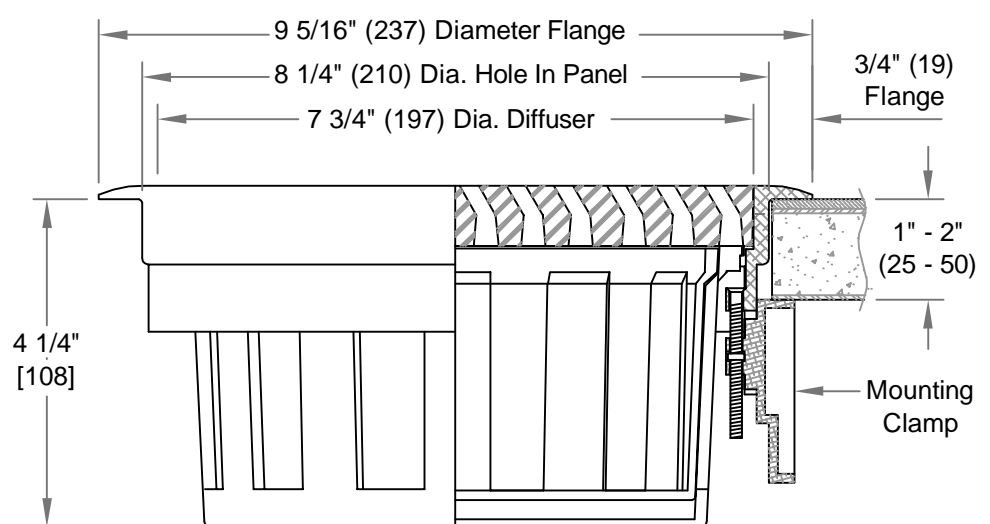
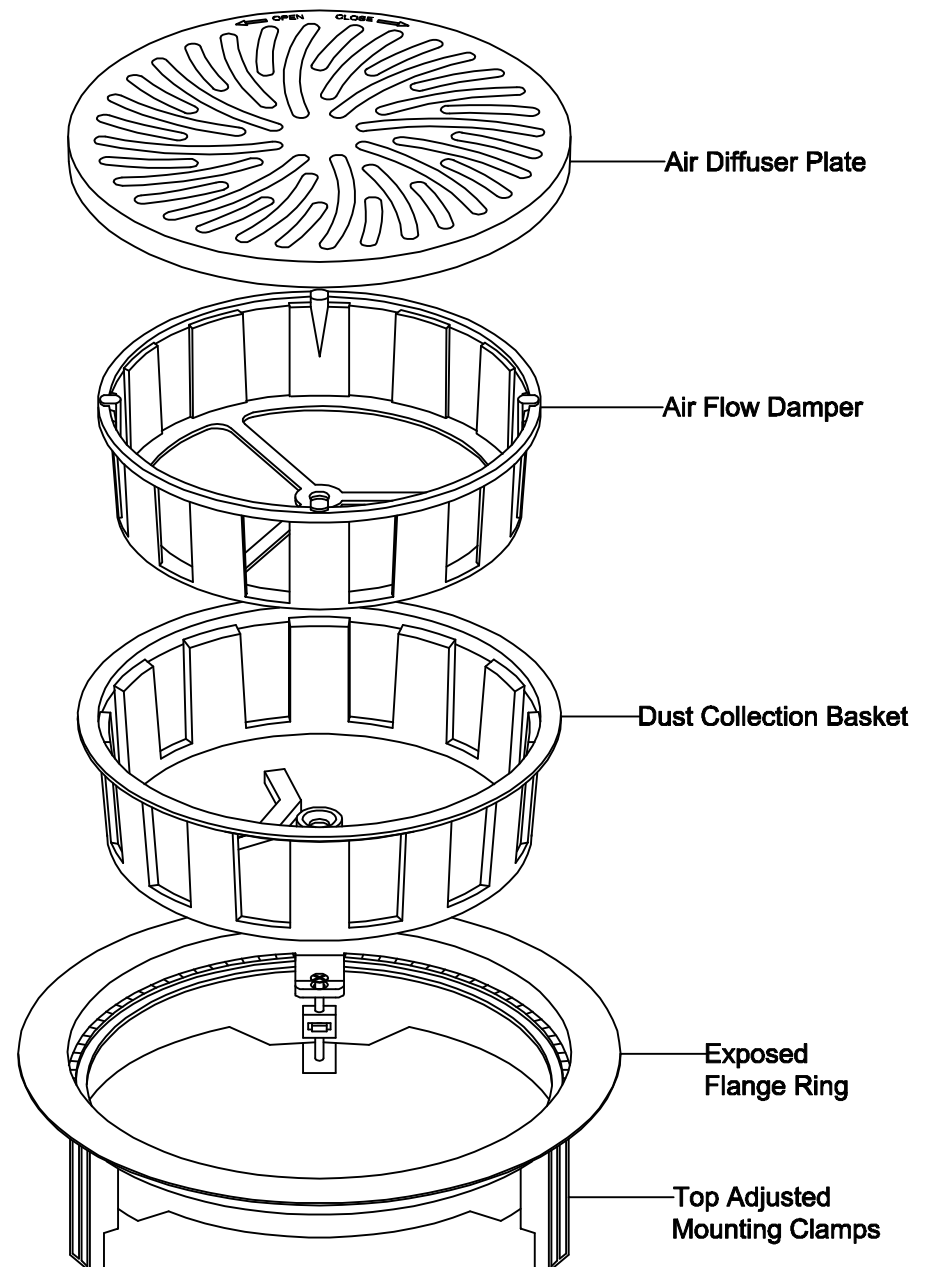
Variable volume flow regulator damper, features visual open/closed indication and includes built-in end stops.

Low pressure drop core/damper assembly design.

Architecturally pleasing face design compliments contemporary decor and lies flush with trim ring flange.

Rugged trim ring design secures carpet and prevents edges from fraying.

Unique adjustable mounting clamp design adapts to any floor panel thickness and provides simple and secure installation. Permits installation from above the floor without removal of the floor panel or carpet.



AIR FLOW VOLUME

Static Pressure	0.02"	0.04"	0.06"	0.08"	0.10"
CFM	45	65	80	95	105

AIR DIFFUSER

朝晖® ZTFLOOR®
www.ztfloor.com